

CAUTION

- Flaming motion (shifting) effect design is delicate in nature. Touching the flame piece could cause improper performance.
- This product is not waterproof. Place this product away from damp surroundings and do not submerge in water.
- For indoor use only.
- Candle is made of REAL WAX. Keep away from any heat source that could cause the wax to soften or melt.
- To avoid wax deposits or color transfer on any surface, place candle on a protective base.
- Changes or modifications not expressly approved by the party responsible for the compliance could void the user's authority to operate the equipment.

BATTERY SAFETY AND DISPOSAL

- Recycle or dispose of used batteries responsibly, and according to federal, state, and local laws.
- Do not mix old and new batteries. Replace all batteries at the same time.
- Do not mix alkaline, standard (carbon-zinc), or rechargeable (nickel cadmium) batteries, or rechargeable nickel metal hydride batteries.
- Insert batteries using correct polarity (+ and -). Do not short-circuit the supply terminal.
- Failure to insert batteries correctly may shorten the life of the batteries or cause batteries to leak, which may damage the candle.
- Remove batteries from product when not in use and before extended storage.
- Always use and replace batteries under adult supervision.



MATCHLESS
CANDLE ^{CO}

MATCHLESSCANDLECO.COM

Matchless Candle Co. Limited Warranty.

This product is guaranteed to be free from defects in material and workmanship for 180 days following date of purchase. Damage caused by neglect, misuse, exposure to excessive heat/cold/moisture or improper battery installation is NOT covered by this warranty. Proof of purchase (sales receipt) is required. We're always ready to listen! We're really easy to reach by email. Shoot us a message for the fastest response at customerservice@matchlesscandleco.com. Questions or feedback? Please contact customer service at 1.844.628.2453.

BATTERY INSTALLATION

- To release battery cover on bottom, release tab and lift.
- Install (2) C Alkaline batteries. Be sure batteries are inserted in the proper direction (per polarity marking inside candle) and replace battery cover (Fig. 1).

CANDLE OPERATION

- To turn ON move switch to center position (Fig. 2). Slide to far right position to turn OFF (Fig. 3).
- To use the 5 hour timer move to far left (Fig 4). The candle will automatically turn on at the set time every day and turn off after five hours.

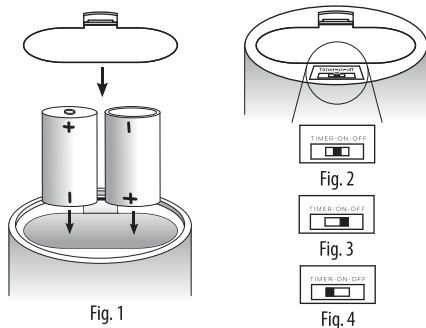
REMOTE READY

- Remote control sold separately (not included with all candles).



CANDLE MAINTENANCE

- Clean with a soft, dry cloth.
- If needed, use a damp cloth and mild household soap.



moving flame[®]
TECHNOLOGY

LED Candle

With Gratitude for your purchase of Matchless Candle Co.

Our candles are made by hand with high quality design & carefully blended fragrances.

No Match, No Mess, No Worry.

FCC This device complies with Part 15 of the FCC Rules. Operation is subject to the following two conditions:
(1) This device may not cause harmful interference. (2) This device must accept any interference received, including interference that may cause undesired operation.

